

- GENERAL NOTES:**
1. ALL DIMENSIONS ARE IN MM. AND LEVELS ARE IN MTR.
 2. ALL EXTERNAL SURFACE SHALL HAVE 18MM PLASTER AS PER CPWD SPECS. PAINTED WITH EXTERIOR GRADE PAINT HAVING SILICON ADDITIVES.
 3. THE WIRE MESH SHALL BE CONNECTED WITH EARTHING SYSTEM THROUGH 75X12MM FLAT FIXED ON DIAGONALLY OPPOSITE COLUMNS ON ITS OUTER SURFACE.
 4. INTERNAL CABLE TRENCH SHALL HAVE SLOPE OF 1:1000 TOWARDS THE EXTERNAL CABLE TRENCH.
 5. ALL MISC. STEEL SHALL BE PAINTED WITH ONE COAT OF ANTI CORROSIVE PAINT OVER APPROVED PRIMER COAT.
 6. INTERNAL CABLE TRENCH LAYOUT SHALL BE VERIFIED/MODIFIED AS PER THE FINAL APPROVED CABLE TRENCH LAYOUT BEFORE CONSTRUCTION.
 7. ALL WELDS ARE 6MM FILLET CONTINUOUS WELD UNLESS OTHERWISE SPECIFIED.
 8. 22GX12 MM. CHICKEN WIRE MESH TO BE PROVIDED FOR OUTER WALL, AND ROOF. CHICKEN WIRE MESH SHALL BE CONNECTED WITH EARTHING SYSTEM THROUGH 75X12MM FLAT FIXED ON DIAGONALLY OPPOSITE COLUMNS ON ITS OUTER SURFACE.
 9. FOR OPENING OF AIR CONDITIONER SUITABLE LOCATION AND SIZE TO BE DECIDED AT SITE.
 10. ALL STEPS SHALL BE FINISHED WITH 18MM THK. POLISHED GRANITE STONE AS PER SPECIFICATION.

11. All doors and windows shall be of OPVC type as per specification. (TS)
12/1/20
16/03/2020

REVISED AS MARKED - R1

O. REVISED AS MARKED										DATE: 12/1/19	
REV.	DESCRIPTION	PREP. (ENGG-CIVIL)	REVD. (ENGG-CIVIL)	REVD. (ENGG-ELECT.)	REVD. (ENGG-CIVIL)	REVD. (ENGG-ELECT.)	APPD.	DATE	SCALE	REV	
									NTS	01	

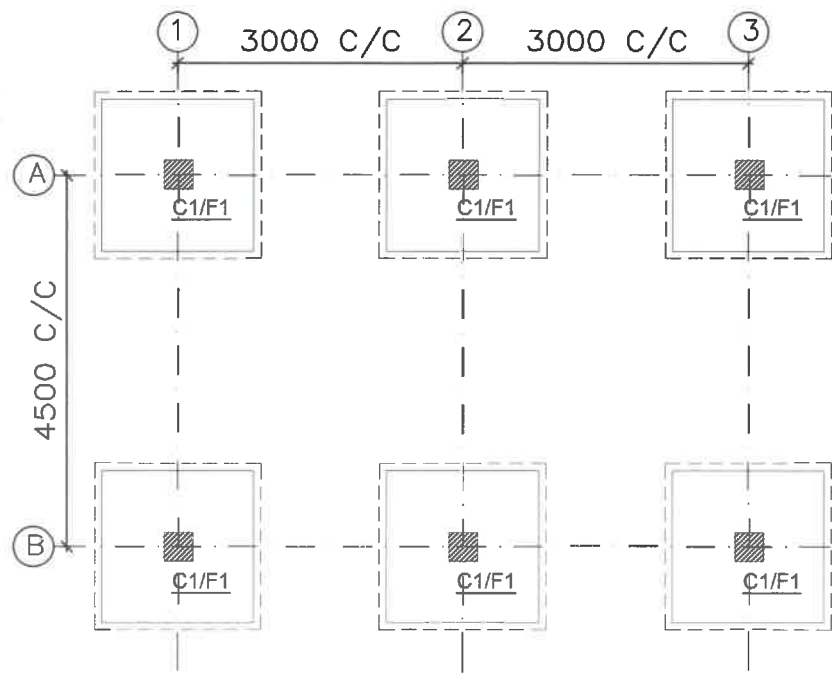
RELEASED FOR TENDER/CONSTRUCTION

POWER GRID CORPORATION OF INDIA LIMITED
 (A Government of India Enterprise)

TITLE: STANDARD PANEL ROOM (6 M.)

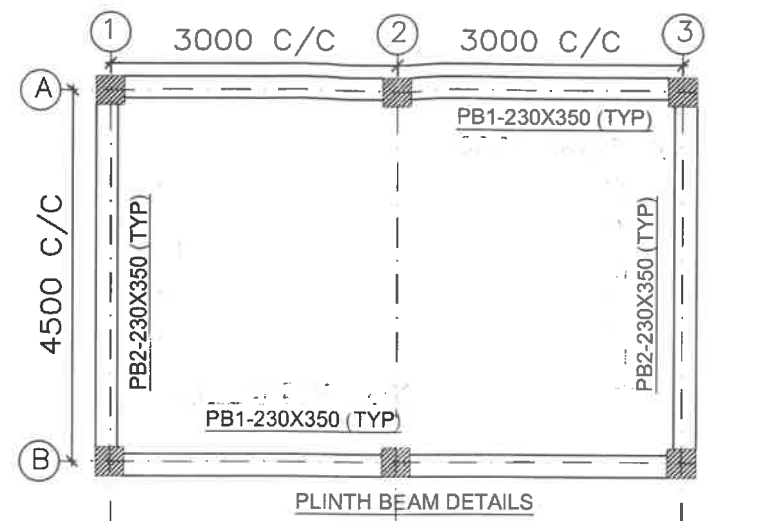
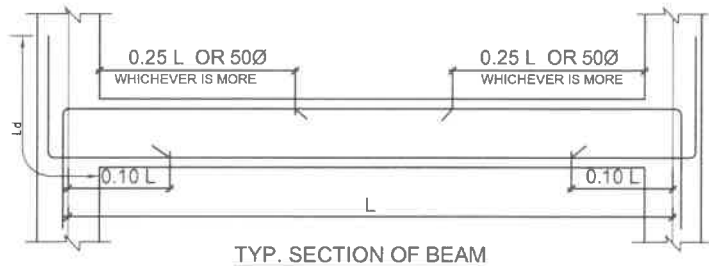
SUB TITLE: STANDARD SWITCHYARD PANEL ROOM GENERAL ARRANGEMENT DETAIL OF PANEL ROOM

DRAWING NO: C/ENGG/STD/PR/2017 (01 OF 03)

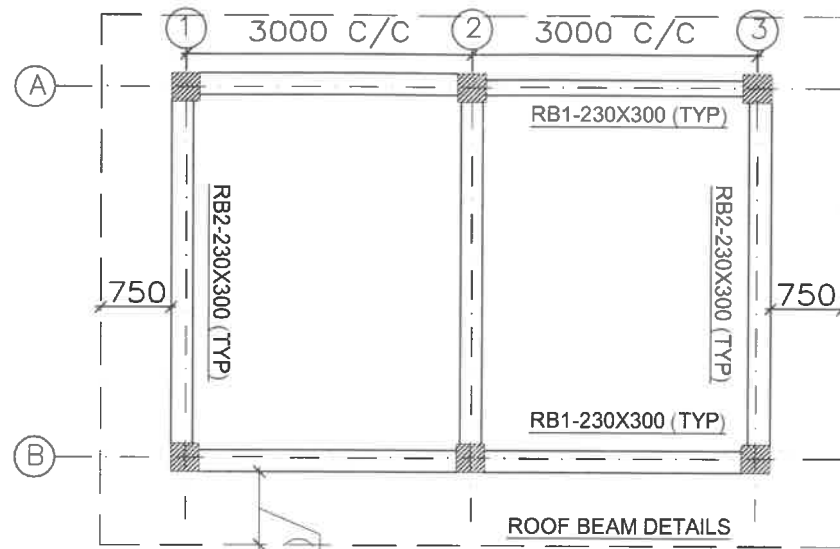


Footing Size

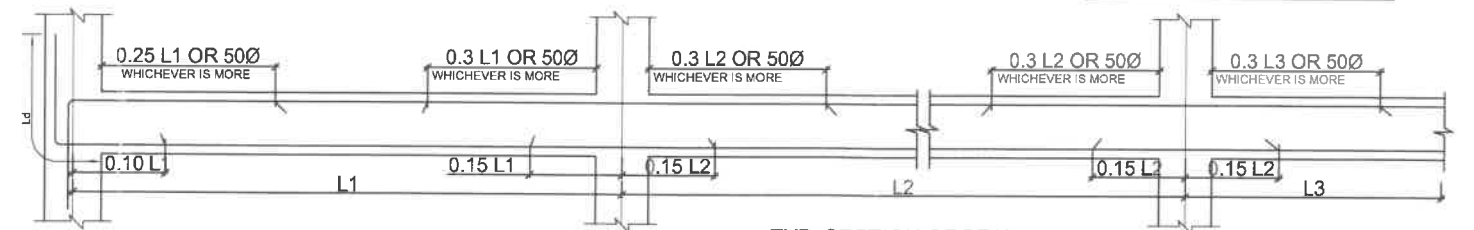
Sno	Bearing capacity	L(mm)	B (mm)	H (mm)
1	5 T/m ²	1750	1750	300
2	9T/m ²	1400	1400	300



PLINTH BEAM DETAILS



ROOF BEAM DETAILS

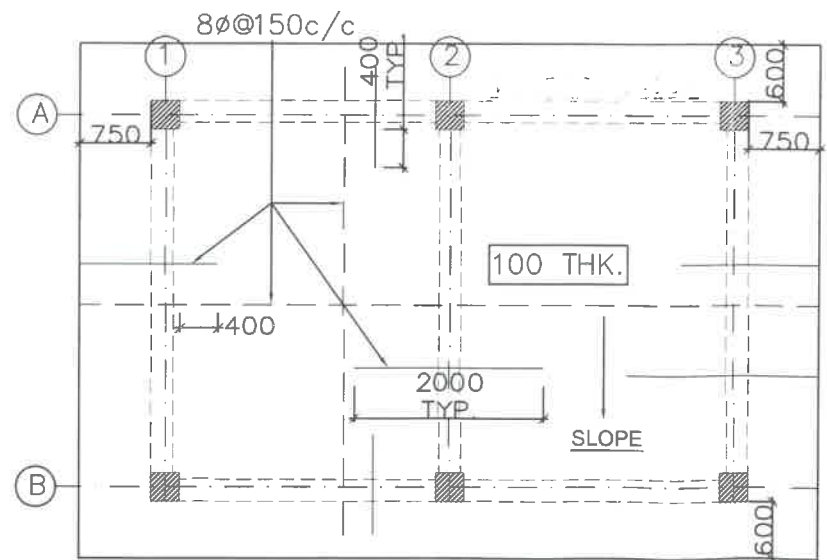


(NOTE:- WHERE "d" IS EFFECTIVE DEPTH OF BEAM)

GENERAL NOTES:

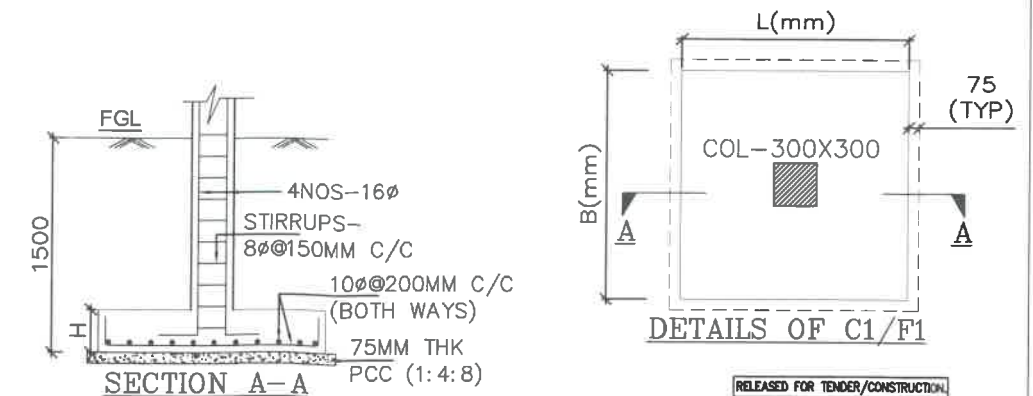
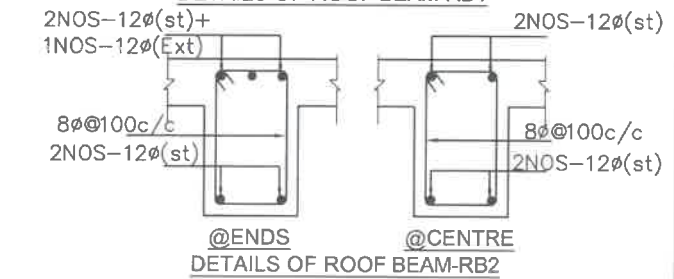
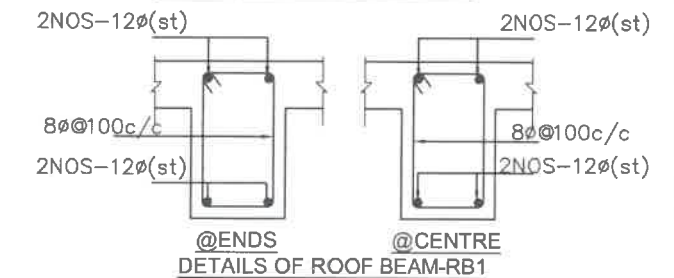
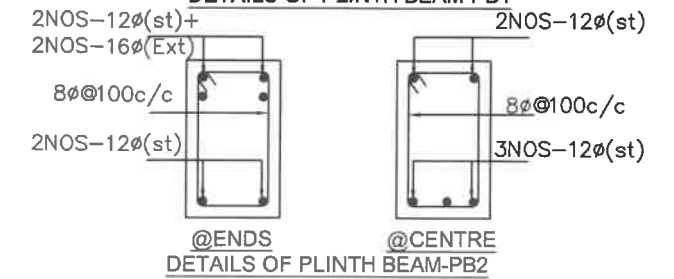
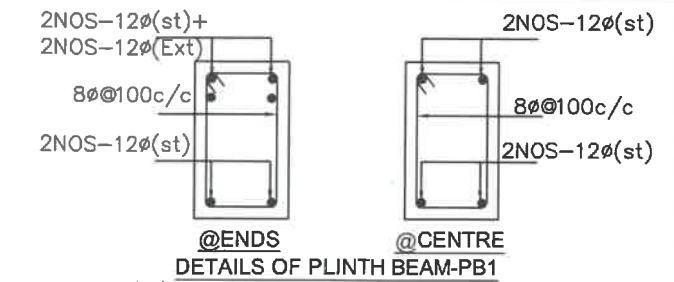
- ALL DIMENSIONS ARE IN MM AND LEVELS IN METERS.
- THIS DRAWING IS NOT TO BE SCALED. ONLY WRITTEN DIMENSIONS ARE TO BE FOLLOWED.
- 0.00 CORRESPONDS TO FINISHED GROUND LEVEL. (F.G.L.)
- ALL R.C.C. USED SHALL BE OF GRADE AS PER SPECIFICATION.
- ALL R/F STEEL SHALL BE HYSD (Fe 500) CONFORMING TO IS:1786./TMT BARS (EQUIVALENT GRADE)
- CLEAR COVER FOR MAIN R/F BARS SHALL BE 40MM FOR COLUMN, 25MM FOR BEAMS, 15MM FOR SLAB. 50MM FOR FOOTINGS
- LAP LENGTH FOR R/F BARS SHALL BE 50 X DIA OF BAR.
- LAP SHALL NOT BE PROVIDED WITHIN A JOINT, OR WITHIN A DISTANCE 2 X DEPTH FROM THE EACH JOINT FACE, OR 1/4 OF MEMBER LENGTH FROM JOINT FACE.
- ALL FOUNDATION SHALL BE TAKEN AT LEAST 500MM BELOW VIRGIN SOIL. LOOSE POCKET IF ANY SHALL BE COMPLETELY REMOVED AND BACK FILLED WITH P.C.C. (1:4:8)
- NET SAFE BEARING CAPACITY AT 1.5M BELOW FGL SHALL BE VERIFIED BEFORE EXECUTION AND THE SIZE OF THE FOOTING SHALL BE ADOPTED BASED ON THE SBC. IN-CASE OF ANY DESCRIPANCY PLEASE CONTACT ENGG.
- IN CASE OF EXPANSIVE SOIL FOUND AT FOUNDATION LEVEL, IT SHALL BE REPLACED WITH 300MM THK OF AVAILABLE LOCAL SAND.

MIP:-
1.STRUCTURE MODIFIED IN LINE WITH CHANGES MADE IN ARCHITECTURAL DRAWING



SLAB DETAILS

— Top bar
- - - Bottom bar



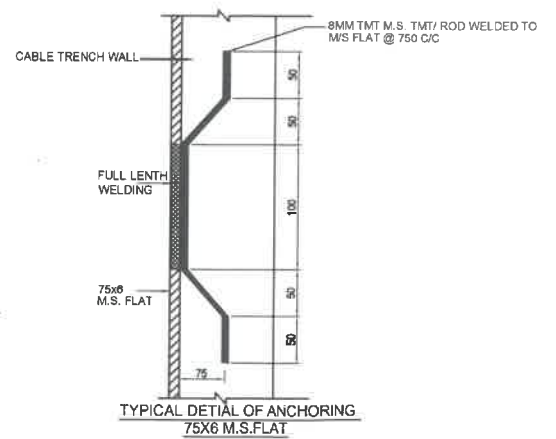
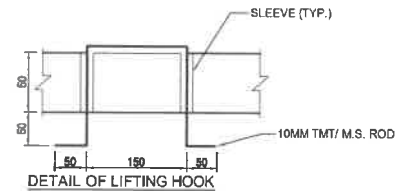
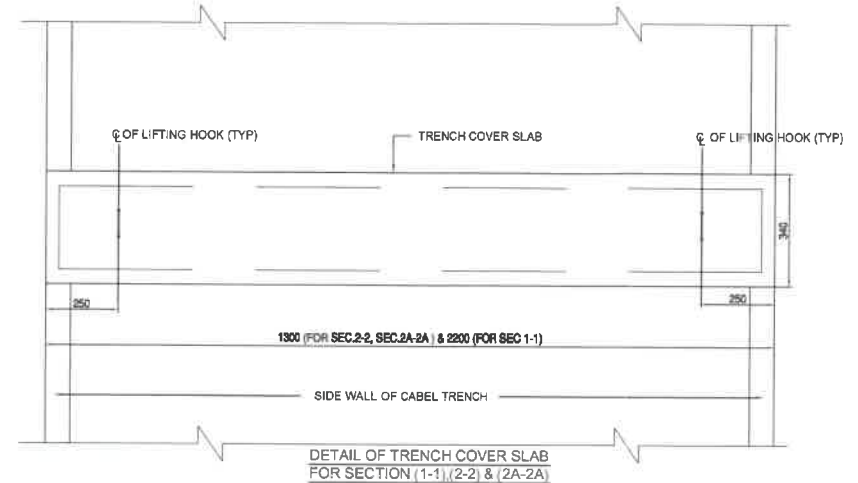
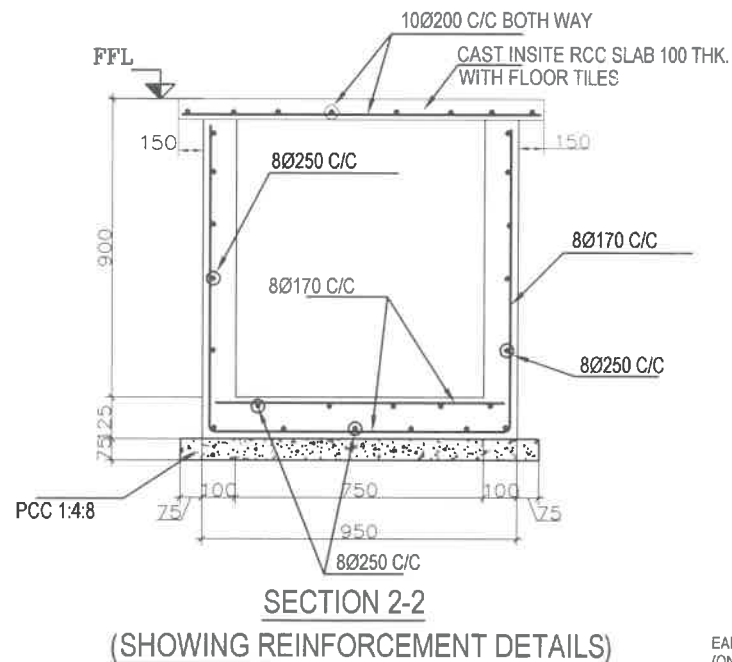
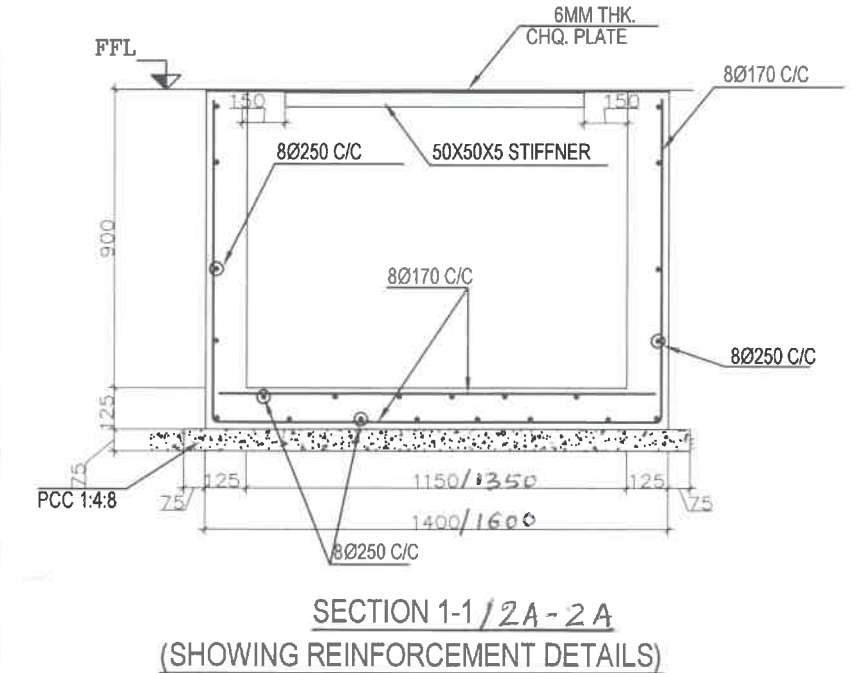
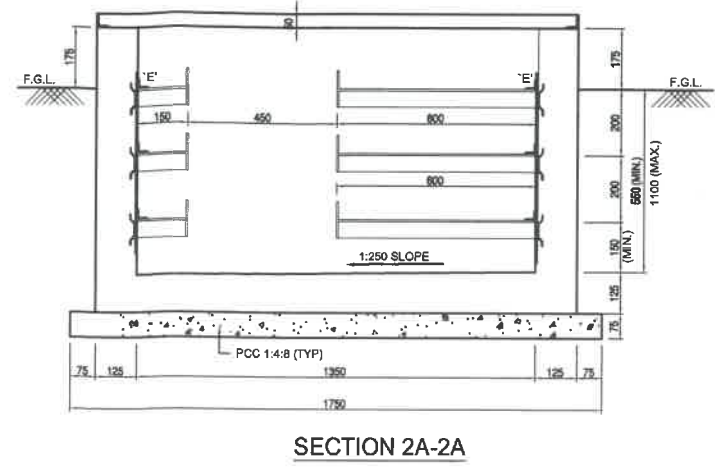
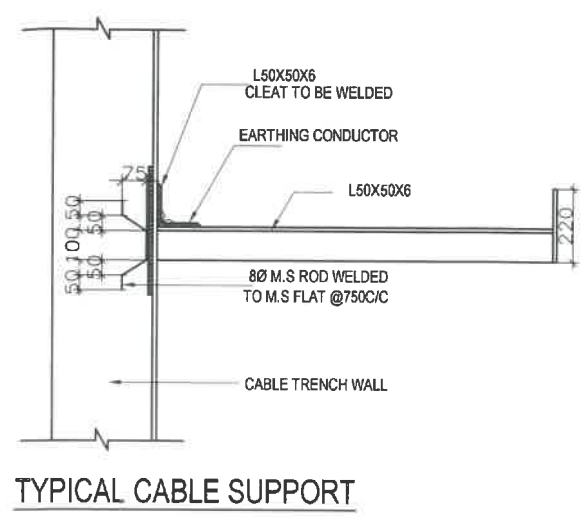
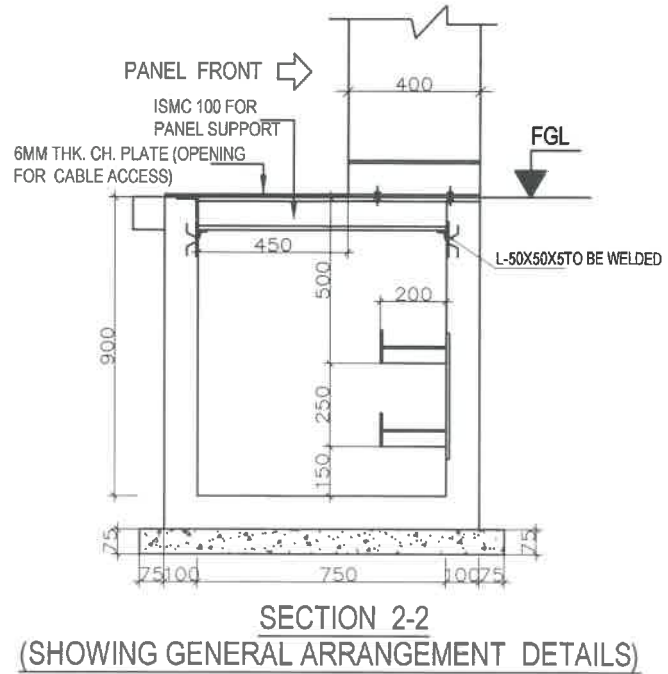
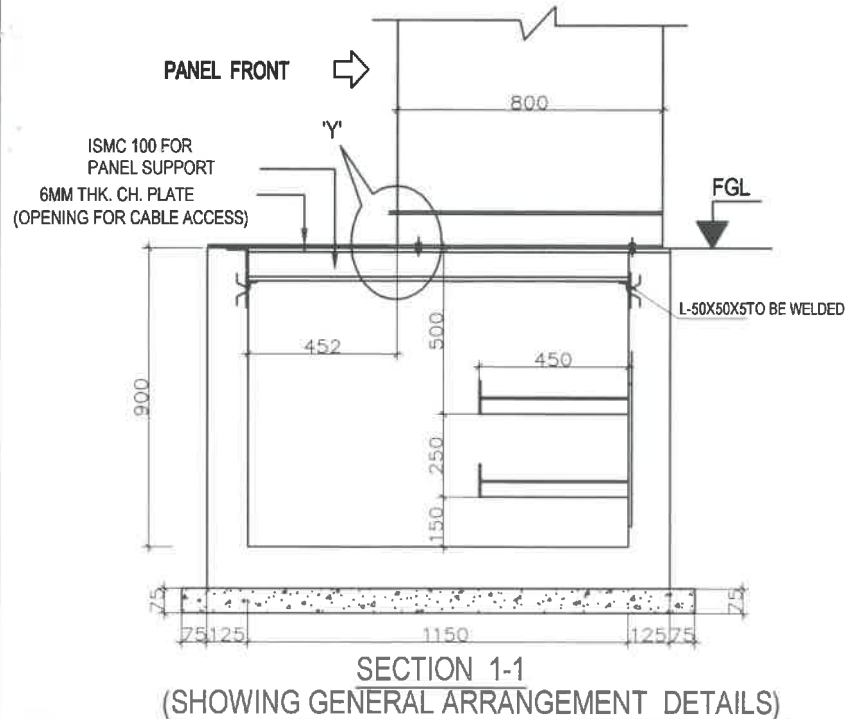
RELEASED FOR TENDER/CONSTRUCTION

POWER GRID CORPORATION OF INDIA LIMITED
(A Government of India Enterprise)

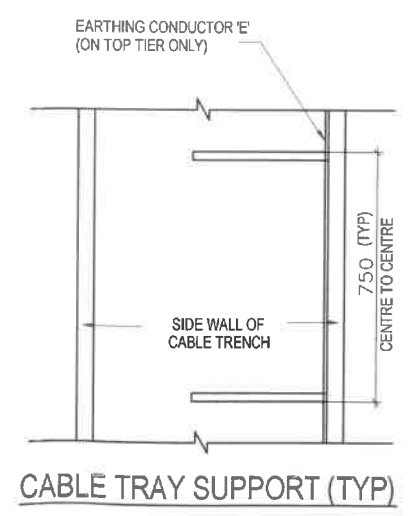
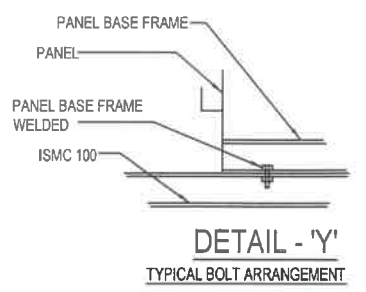
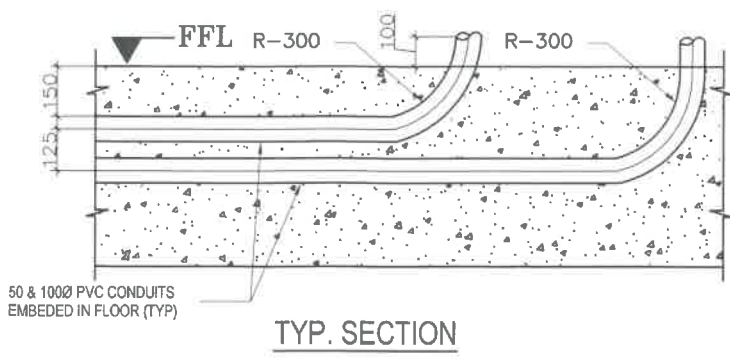
TITLE: STANDARD PANEL ROOM
SUB TITLE: FOUNDATION STANDARD SWITCHYARD PANEL ROOM RCC DETAIL OF PANEL ROOM

REV	DESCRIPTION	PREP. (DATE-CHK.)	REVD. (DATE-ELECT.)	REVD. (DATE-CHE.)	REVD. (DATE-ADM.)	REVD. (DATE-ENG.)	APPD.	DATE
0.	REVISED AS MARKED							

DRAWING NO: C/ENGG/STD/PR/2017 (02 OF 03)
SCALE: NTS
REV: 0



- NOTES :-
1. ALL DIMENSION ARE IN MM UNLESS NOTED OTHERWISE.
 2. FOR NOTES REFER DRG. NO : C-ENGG-STD-PR-TS-10-01
 3. FOR STRUCTURE NOTES REFER DRG. NO : C-ENGG-STD-PR-2016, 02,03 & 04.
 4. TOP OF CHEQUERED PLATE TO FLUSH WITH FINISHED FLOOR LEVEL
 5. THIS DRAWING SHALL BE MATCHED WITH VENDOR'S APPROVED INTERNAL CABLE TRENCH LAYOUT DRAWING BEFORE START OF CONSTRUCTION
 6. ALL WELDS ARE 6MM FILLET CONTINUOUS WELD UNLESS OTHERWISE SPECIFIED
 7. ISMC 100 SHALL BE PROVIDED @1000 C/C TO SUPPORT CHEQUERED PLATE WHEREVER CABLE TRENCH WIDTH EXCEEDS 1000 MM.
 8. ISMC 100 SHALL BE PROVIDED BELOW PANELS ALSO.
 9. FOR CABLE TRENCH WITH LESSER WIDTH L50x50x5 STIFFENER SHALL BE WELDED WITH CHEQUERED PLATE @ 1000 C/C.



0.	REVISED AS MARKED							
REV.	DESCRIPTION	PREP. (ENGG-CIVIL)	REVD. (ENGG-ELECT.)	REVD. (ENGG-CIVIL)	REVD. AGM (ENGG-CIVIL)	REVD. GM (ENGG-ELECT.)	APPD. ED (ENGG-S/STRUCTURAL)	DATE

RELEASED FOR TENDER/CONSTRUCTION

POWER GRID CORPORATION OF INDIA LIMITED
(A Government of India Enterprise)

TITLE:
STANDARD PANEL ROOM

SUB TITLE: STANDARD SWITCHYARD PANEL ROOM R.C.C
DETAIL OF INTERNAL CABLE TRENCH

DRAWING NO:
C/ENGG/STD/PR/2017
(03 OF 03)

SCALE: NTS

REV: 0